

# BDWPHKA BDWPHKP

## ABS & PVC PLUMBER'S HALF KIT

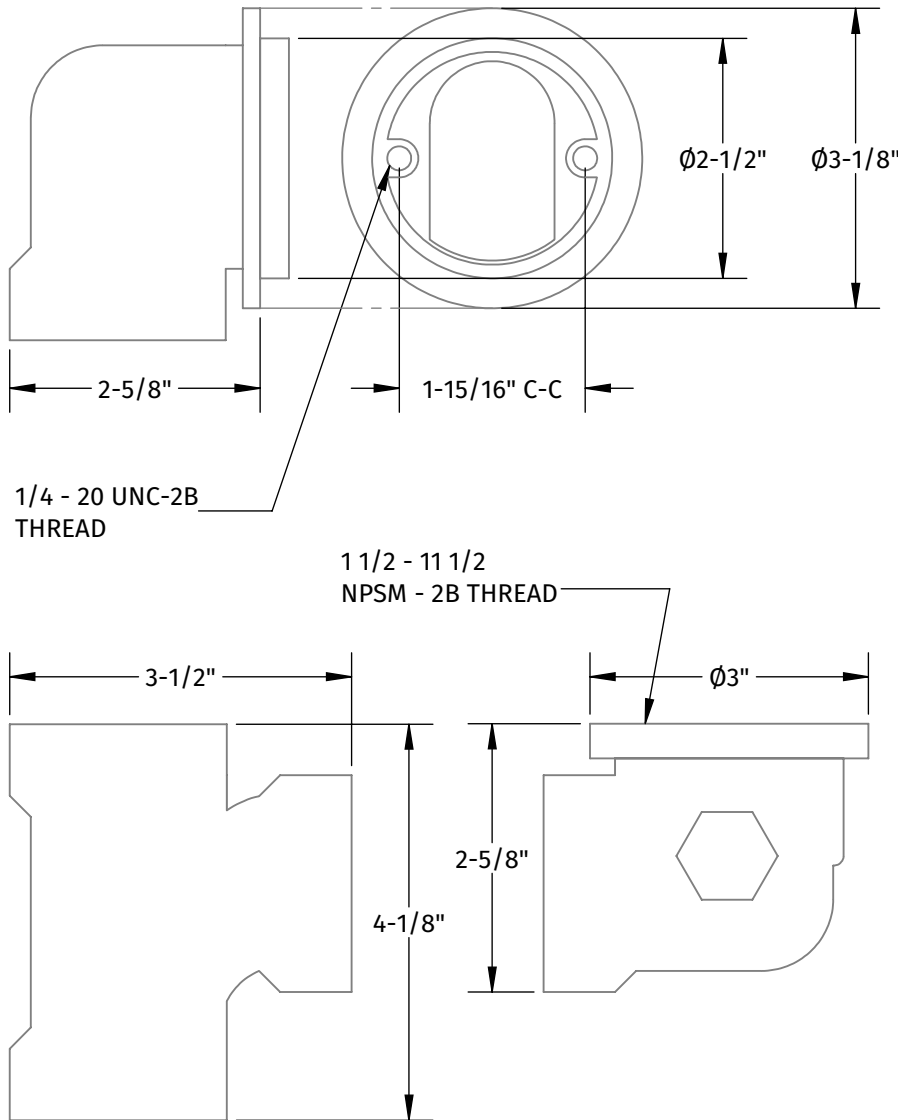


A McAlpine Company

# Mountain

Plumbing Products

### SPECIFICATION SHEET



- KIT OFFERED IN 1-1/2" SCH 40 ABS (A) & PVC (P)
- COMPATIBLE WITH DOUBLE FLEX ADAPTER (NOT INCLUDED)
  - CBWODF-A
  - CBWODF-P
- COMPATIBLE WITH 1-1/2" SCH 40 PIPE (NOT INCLUDED)

#### **WARRANTY**

FOR WARRANTY INFO PLEASE VISIT [WWW.MOUNTAINPLUMBING.COM/PAGE/RESOURCES/WARRANTY](http://WWW.MOUNTAINPLUMBING.COM/PAGE/RESOURCES/WARRANTY)

#### **FINISH CARE & MAINTENANCE**

NEVER USE ANY HARSH ALKALI, ACID BASED DETERGENTS OR CLEANERS SUCH AS SOFT SCRUB®, SCRUBBING BUBBLES® OR COMET® TO CLEAN. DO NOT USE BRILLO® OR SCOTCH BRITE® PADS. THESE WILL ALL HARM THE FINISH. TO CLEAN, USE ONLY A DAMP SOFT CLOTH AND WIPE GENTLY. STANDARD WINDEX® CAN ALSO BE USED SPARINGLY. IT IS NOT NECESSARY TO WIPE HARD TO REMOVE SPOTS. TO MAINTAIN THE FINISH, WIPE WITH A SOFT DRY CLOTH AFTER USE. AN OCCASIONAL COAT OF PURE CARNAUBA WAX WITHOUT CLEANERS WILL HELP PROTECT THE FINISH.

SPECIFICATIONS SUBJECT TO CHANGE WITHOUT NOTICE

# UNVLT

## DELUXE LIFT AND TURN DRAIN TRIM

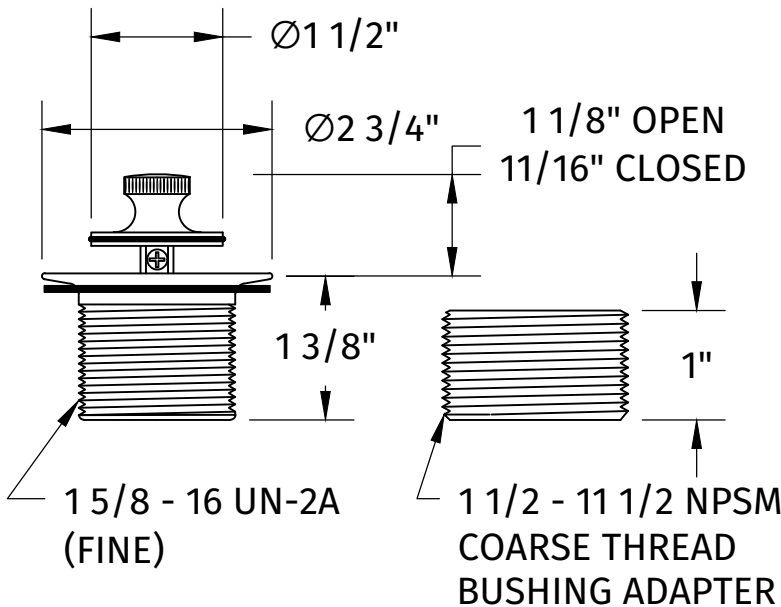
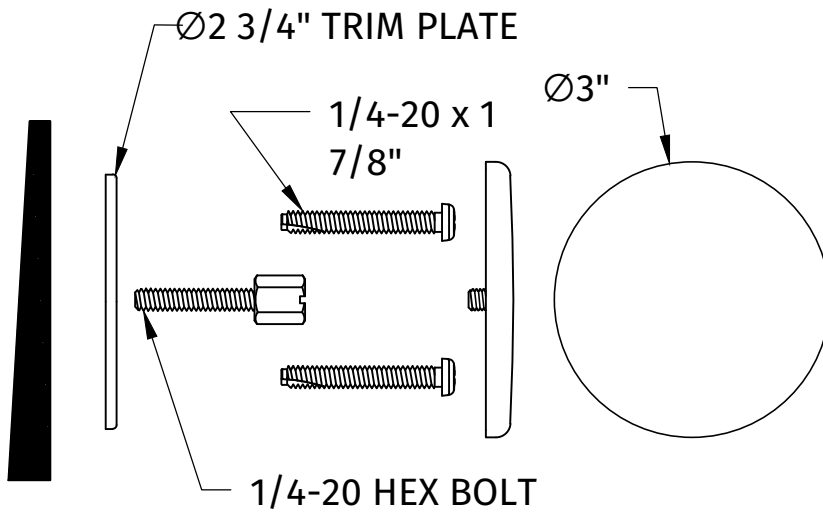
### SPECIFICATION SHEET



A McAlpine Company



# Mountain Plumbing Products



- FOR USE WITH  $\varnothing 2$ " DRAIN OPENING
- WILL RETROFIT MOST MANUFACTURER'S NON-CABLE OPERATED DRAINS
- SUITABLE FOR MOST OVERFLOWS WITH ONE OR TWO SCREW APPLICATION
- COMPATIBLE WITH ALL MOUNTAIN PLUMBING NON-CABLE OPERATED DRAINS
- WILL FIT A TUB UP TO 2" THICK WHEN USING COARSE ADAPTER
- BDWBUSH2 - 2" COARSE ADAPTER FOR UP TO 3" THICK TUBS (SOLD SEPARATELY)
- BDWBUSH2.5 - 2 1/2" COARSE ADAPTER FOR UP TO 3 1/2" THICK TUBS (SOLD SEPARATELY)

#### WARRANTY

FOR WARRANTY INFO PLEASE VISIT [WWW.MOUNTAINPLUMBING.COM/PAGE/RESOURCES/WARRANTY](http://WWW.MOUNTAINPLUMBING.COM/PAGE/RESOURCES/WARRANTY)

#### FINISH CARE & MAINTENANCE

NEVER USE ANY HARSH ALKALI, ACID BASED DETERGENTS OR CLEANERS SUCH AS SOFT SCRUB®, SCRUBBING BUBBLES® OR COMET® TO CLEAN. DO NOT USE BRILLO® AND SCOTCH BRITE® PADS. THESE WILL ALL HARM THE FINISH. TO CLEAN, USE ONLY A DAMP SOFT CLOTH AND WIPE USING A SOFT CLOTH. STANDARD WINDEX® CAN ALSO BE USED SPARINGLY. IT IS NOT NECESSARY TO WIPE HARD TO REMOVE SPOTS. TO MAINTAIN THE FINISH, WIPE WITH A SOFT DRY CLOTH AFTER USE. AN OCCASIONAL COAT OF PURE CARNAUBA WAX WITHOUT CLEANERS WILL HELP PROTECT THE FINISH.

SPECIFICATIONS SUBJECT TO CHANGE WITHOUT NOTICE